






Thursday 4th March 2021 YEAR 2

Enjoy doing the activities listed.

The order to do them in is suggested below but you can change them to suit you. Please send me any work, photos or comments via Tapestry. Thank you.

<p><u>MORNING</u> <u>Let's get started challenge</u></p>	<p>Choose an activity to do for World Book Day from https://www.worldbookday.com/resources/make-and-do/ or make a bookmark (see below)</p>
<p><u>Maths</u></p> <p><i>Learning objective:</i></p> <p>Can I use what I know about the value of coins to make different amounts?</p>	<p>This week you have learnt to recognise the value of coins, to sort them and to count in groups of 2p, 5p and 1p coins to work out values and you have seen the link with multiplication.</p> <p>Today you will be using all that you have learnt to make different amounts.</p> <ul style="list-style-type: none"> ➤ To make 2p you could either use 1p an 1p or a 2p <div style="text-align: center;">  <p>or</p> </div> <ul style="list-style-type: none"> ➤ Think about the different ways you could make 5p. ➤ Yes. You could use <div style="text-align: center;">  <p>OR</p>  <p>OR</p>  </div>

	 <p>OR</p> <p>Now work out ways of using different coins to make different values. You could use real coins and take a photo or cut and stick pictures of coins (see below).</p>
<p><u>English</u></p> <p><i>Learning objective:</i> Can I say what I think about the poem and give reasons?</p>	<p><u>Introduction</u></p> <ul style="list-style-type: none"> ➤ Start by seeing how much you have remembered about possessive apostrophes by completing the sheet on page 13 of your pack. ➤ Next read 'The Magic Box' poem on page 14 of your pack. ➤ Or listen to the poem https://www.bbc.co.uk/bitesize/clips/zkpmhyc ➤ Think about what you have read or listened to. <ul style="list-style-type: none"> • What was your favourite item in the box? • Do you think it was a happy or sad poem? Why? <p><u>Activity :</u></p> <ol style="list-style-type: none"> 1. Fill in your thoughts about the poem on page 15. 2. At the start of term you made your own special box. If you didn't you could make one now. <p>If you did make one think about what you could put in your box that is special to you and will remind you of this time in your life e.g. a photo, something you have made, a small model.</p> <p><u>Activity</u> Find somethings and put them in your box.</p>

<p><u>Handwriting/ spellings or phonics</u></p> <p><i>Learning objective:</i> Can I spell the tricky words pass, class, grass?</p>	<p><u>Introduction:</u></p> <ul style="list-style-type: none"> ➤ This week you learnt some new words. pass grass class ➤ Can you remember how to spell them? If not practise now before moving on to the activity. <p><u>Activity</u> Cut out the letters below and use them to make</p> <p>pass grass class</p>
Lunchtime!	
<p><u>AFTERNOON Reading</u></p>	<p>It is World Book Day TODAY! The World Book Day website has some great resources. https://www.worldbookday.com/2020/09/world-book-day-2021-announcements/</p> <p>Listen to a story every day this week: https://www.worldbookday.com/share-a-story-corner/</p>
<p><u>RE (Mrs Watson)</u></p>	<p><u>See Power Point</u></p>
<p><u>Story/ yoga/ mindfulness activity</u></p>	<p>Cosmic yoga or use some of the yoga cards you have already been given.</p>
<p>Additional notes for parents.</p>	

Maths

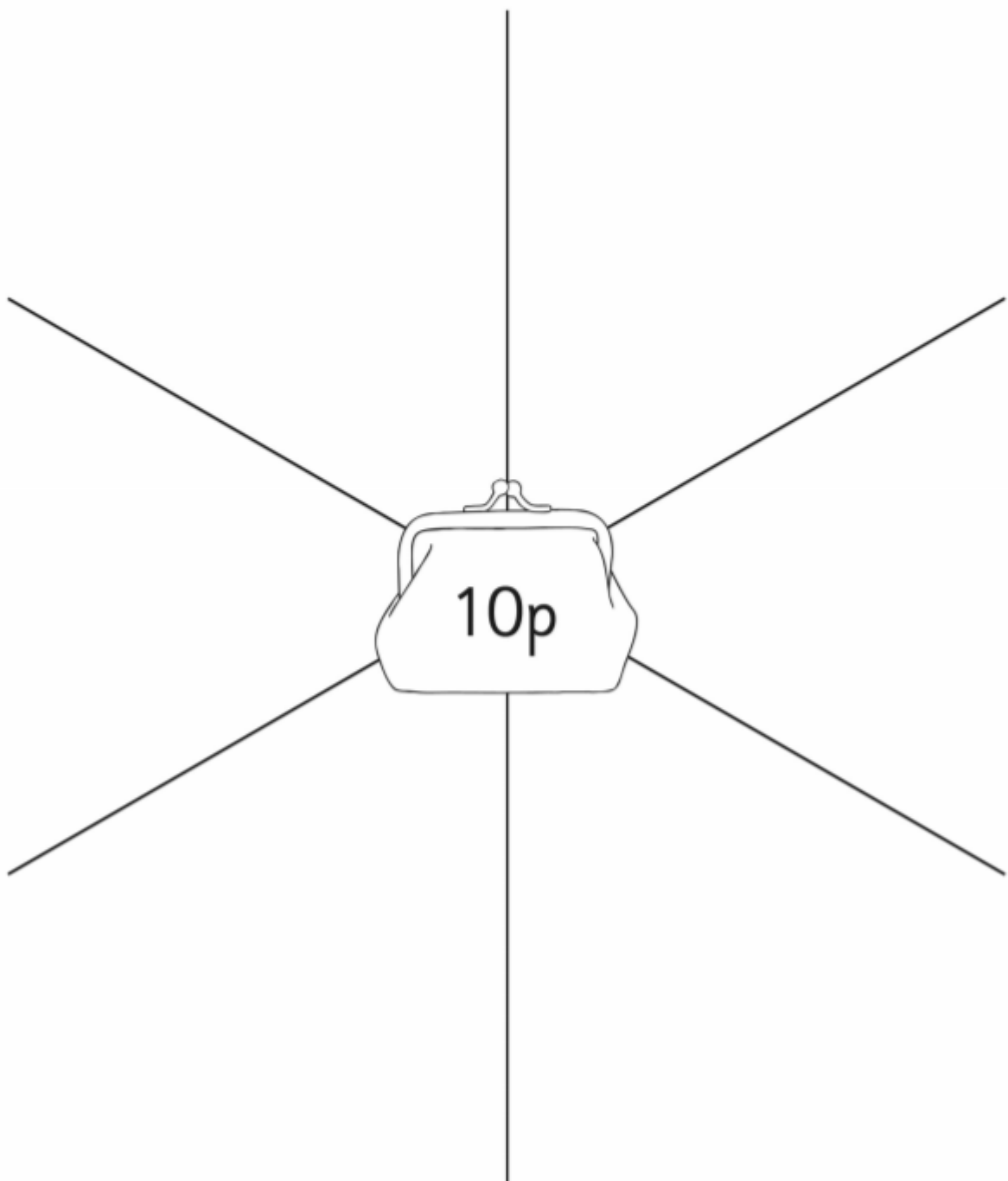


Level 1 challenge

Can I use what I know about the value of coins to make different amounts?

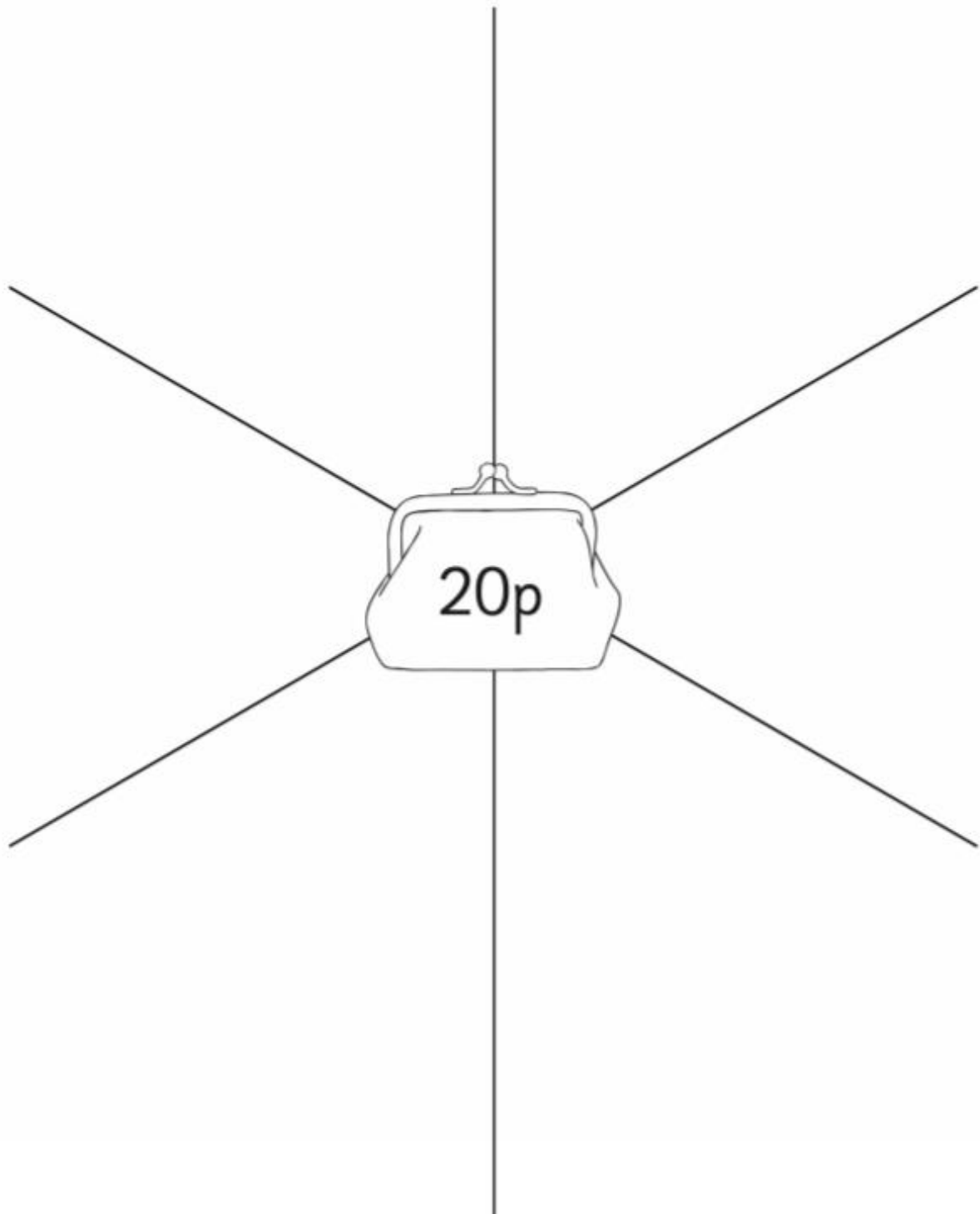
Show Me the Money!

Can you find different ways to make the same amount as the money in the purse?



Level 2 challenge

Can you find different ways to make the same amount as the money in the purse?



If you wanted an additional challenge see how many ways you can make £1

Spellings Cut out the letters and use them to make the tricky words:

ss

a

p

a

ss

g

r

c

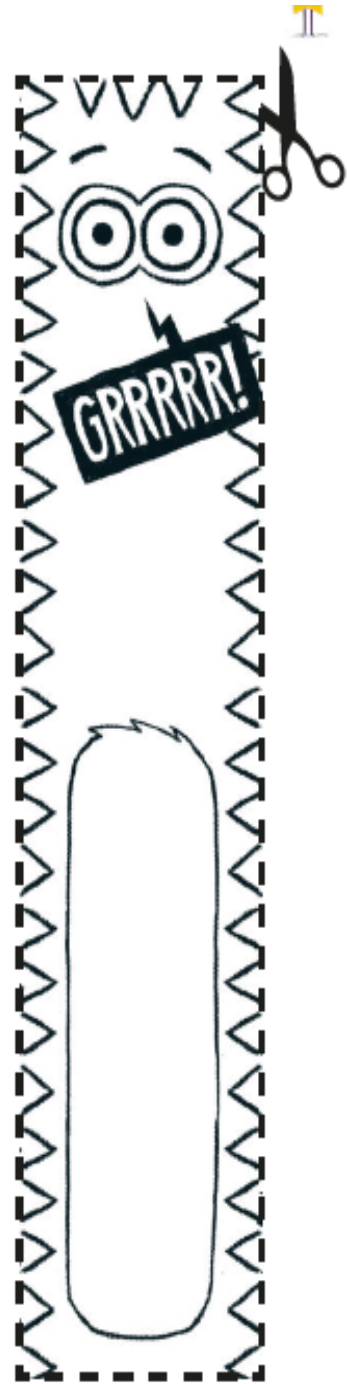
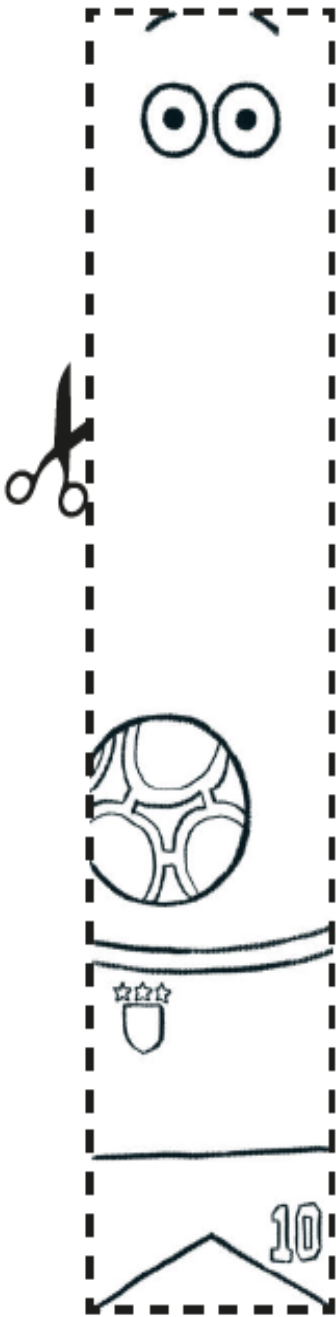
a

l

ss

World book day

keep these bookmarks in your favourite books.



www Rob Biddulph